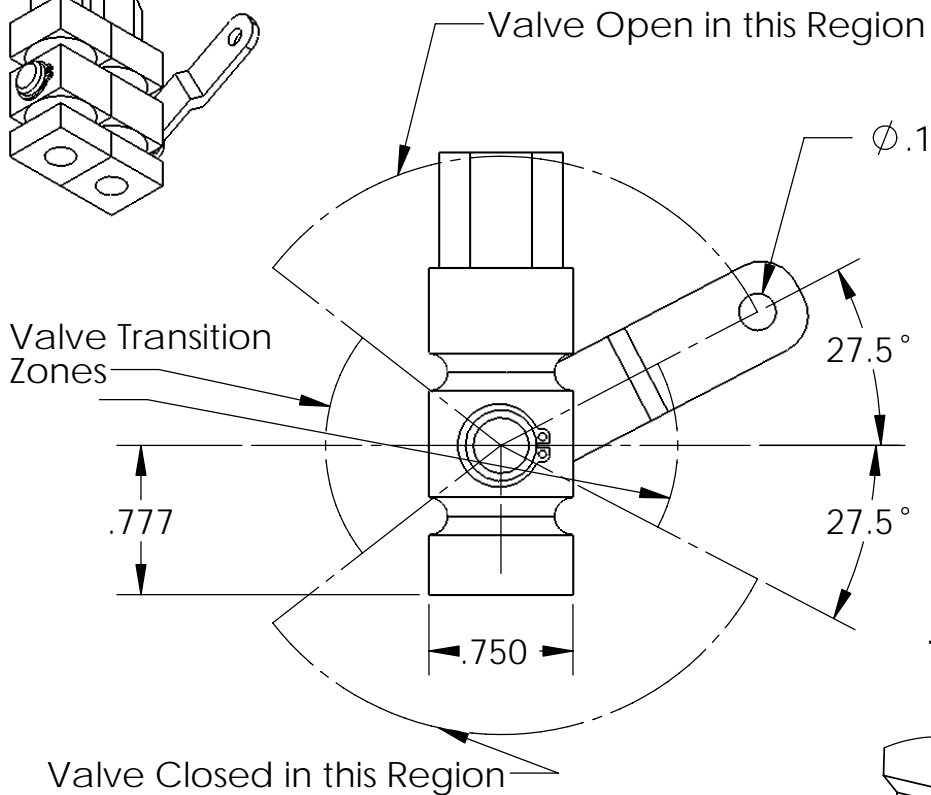
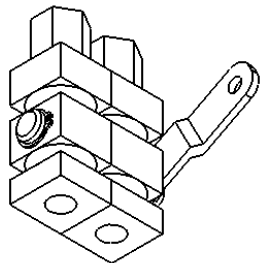
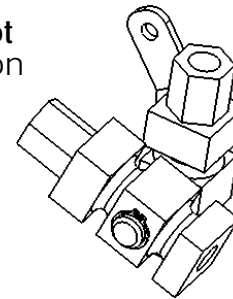


**For Use with Mil-H-5606
or Equivalent Fluid**

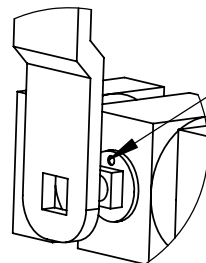
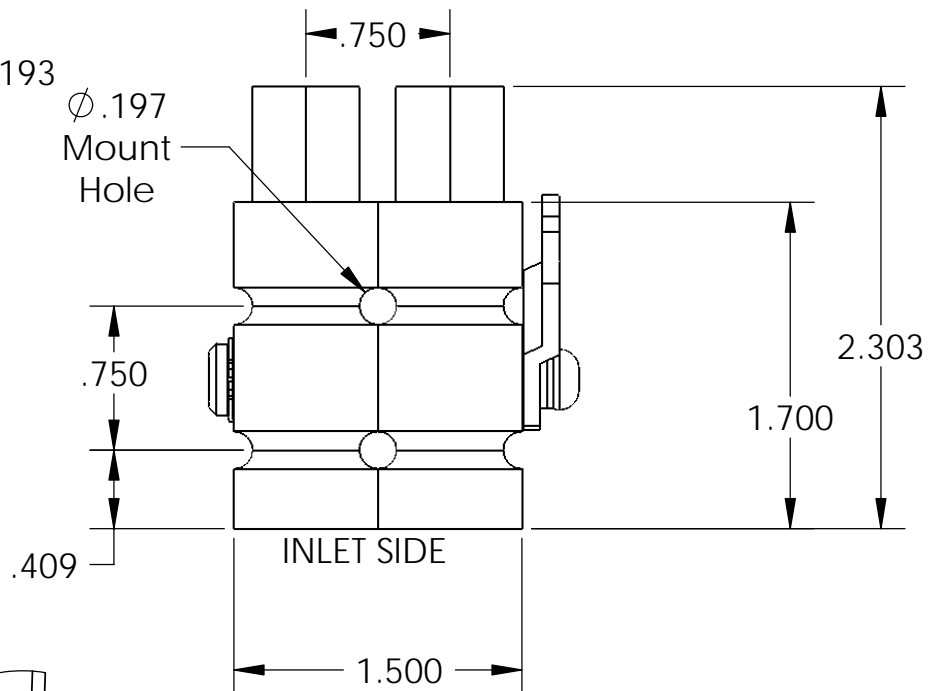
**Inlet and Outlet Port
Thread Size 1/8 NPT**

SUPPLIED RUBBER WASHERS USED UNDER MOUNTING BOLT HEADS. INSTALL UNDER LIGHT COMPRESSION

Valve Halves Pivot
to allow installation
of angled fittings
prior to mounting
valve!
Bodies are then
realigned for use.



OUTLET SIDE
To
Brake



Cam Orientation
Mark

CAM ORIENTATION NOTE: Lever can be moved to change Operating Zones in 90 deg increments. Default alignment as shown at right.

NEXT ASSY.	USED ON	QTY
APPLICATION		

MATCO mfg



2361 S. 1560 West
Woods Cross, Utah 84087 USA

NOMENCLATURE
VALVE, PARK

MATERIAL
VARIES

PART NUMBER
PVPV-D

DRAWING NO.
PARK/PVPV-D INSTALL

CHECKED BY

SCALE
1:1

REVISION
NC

Est Wt. (lb)
0.283

TOLERANCES
(EXCEPT AS NOTED)

DO NOT SCALE DRAWING
LINEAR .XX = + .03
.XXX = + .01
ANGULAR + 1/2
CONCENTRIC + .01

DRAWN BY
George R. Happ

FINISH

DATE
7/10/2008

SHEET 1 OF 1
SHEET SIZE A